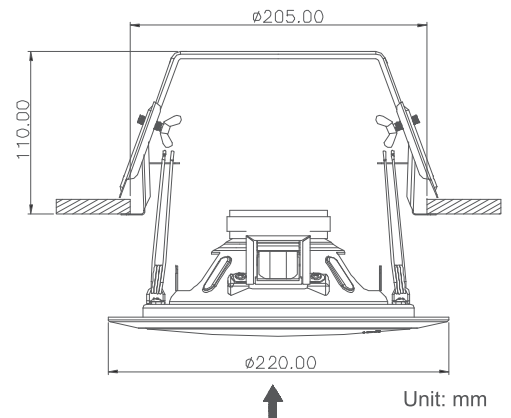


METAL CEILING MOUNT SPEAKER

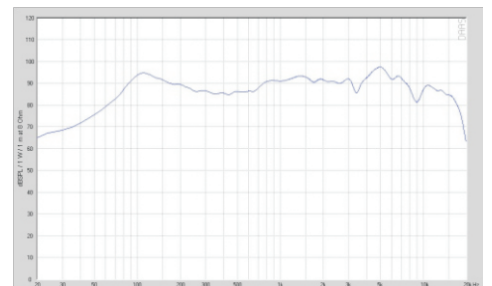
(EN54-24 , BS5839 Part 8)



SPECIFICATIONS

Model No.	CS-6106EN	CS-6110EN
Rated Power (rms)	6W	10W
Speaker	6.5" Full Range, With Dual Cone	
Power Rating(100V)	6W - 3W - 1.5W	10W - 5W - 2.5W
Impedance	1667Ω - 3333Ω - 6667Ω	1kΩ - 2kΩ - 4kΩ
S.P.L.(at 1W/1M)	90dB	93dB
Maximum Acoustic Pressure	97dB	103dB
Frequency Response(-10dB)	80 Hz ~ 20k Hz	
Dispersion 1KHz / 4KHz	120° / 60°	
Ambient Temperature	-10°C ~ +55°C	
Compliant Standard	EN54-24 , BS5839 Part 8	
Dimension	220mm(Dia.)x120mm(H)	
Cut-Out Diameter	205mm(Dia.)	
Material	Steel	
Colour	White	
Weight	1.07Kg	1.22Kg
Mounting	U Type Bracket	

CS-6106EN



CS-6110EN

